

MAINTENANCE MANUAL

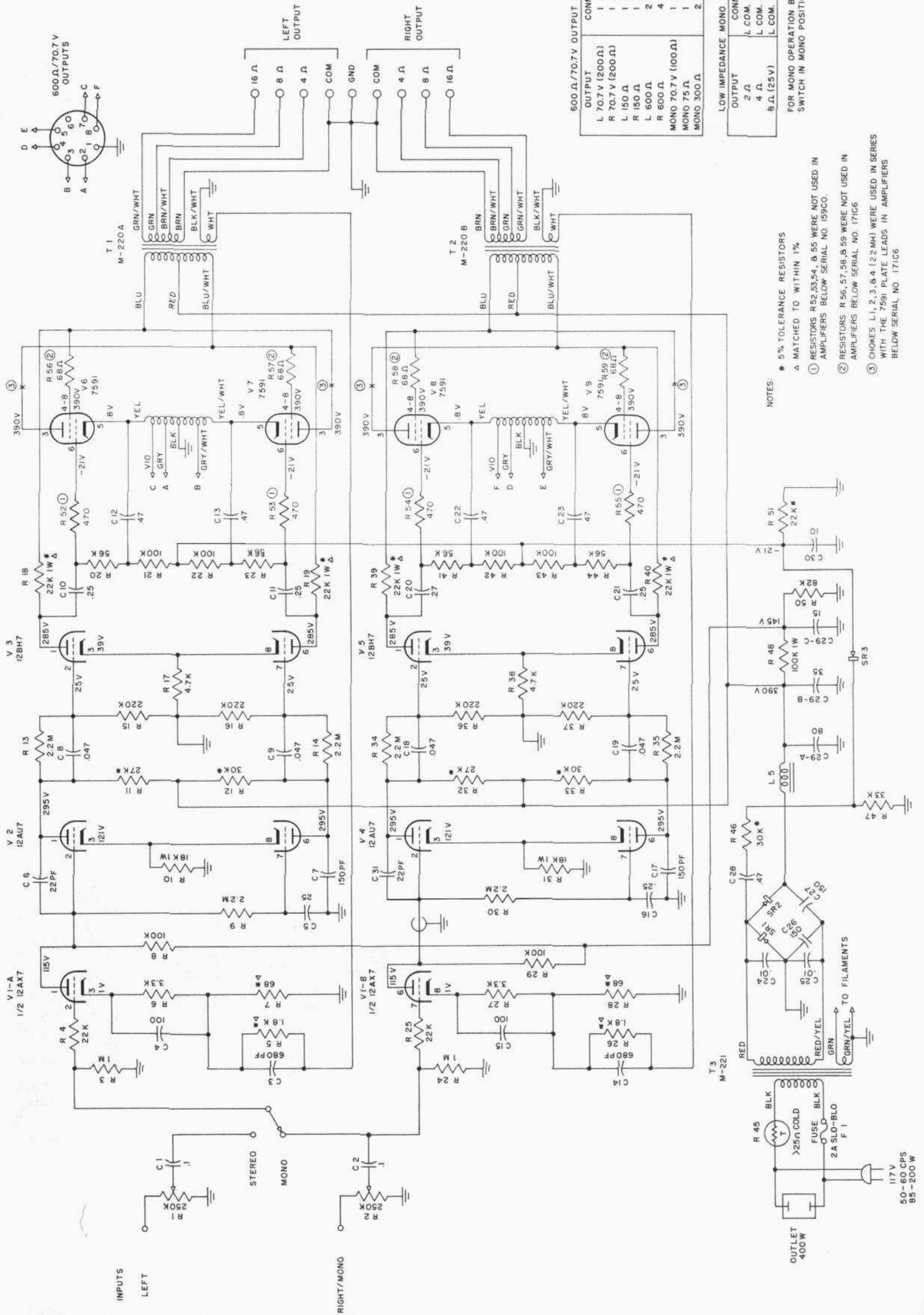
MC225

McIntosh

STEREO
POWER AMPLIFIER

(Serial Nos. 100C1 & above)

MC225 SCHEMATIC
(Schematic No. SC126-167A)



OUTPUT	CONNECT TO	JUMPER
L 70.7V (200Ω)	1 AND 7	—
R 70.7V (200Ω)	1 AND 8	—
L 150Ω	1 AND 2	—
R 150Ω	1 AND 4	—
L 600Ω	2 AND 3	—
R 600Ω	4 AND 5	—
MONO 70.7V (100Ω)	1 AND 7	7 TO 8
MONO 75Ω	1 AND 2	2 TO 4
MONO 300Ω	2 AND 3	2 TO 4, 3 TO 5

LOW IMPEDANCE MONO OUTPUT CONNECTIONS	CONNECT TO	JUMPER
OUTPUT	L COM. AND L 4Ω	R 4Ω TO L 4Ω
2Ω	L COM. AND L 8Ω	R 8Ω TO L 8Ω
4Ω	L COM. AND L 16Ω	R 16Ω TO L 16Ω
8Ω (25V)	L COM. AND L 16Ω	R 16Ω TO L 16Ω

FOR MONO OPERATION BE SURE TO PLACE MONO/STEREO SWITCH IN MONO POSITION.

- NOTES:
- * 5% TOLERANCE RESISTORS
 - Δ MATCHED TO WITHIN 1%
 - ① RESISTORS R52,53,54, 55 WERE NOT USED IN AMPLIFIERS BELOW SERIAL NO. 159C0.
 - ② RESISTORS R56,57,58,59 WERE NOT USED IN AMPLIFIERS BELOW SERIAL NO. 171C6
 - ③ CHOKES L1,2,3,8,4 (2.2MH) WERE USED IN SERIES WITH THE 759I PLATE LEADS IN AMPLIFIERS BELOW SERIAL NO. 171C6

117 V
50-60 CPS
95-200 W

Table 1. MC225 VOLTAGE AND RESISTANCE CHART
(Schematic No. SC126-167A)

Tube	Pin No.	DCVolts	Resistancein Ohms, Unit Off
12AX7 (V1)	1	115	180K
	2	0	1M
	3	1	3.3K
	4	FIL	0
	5	FIL	0
	6	115	180K
	7	0	1M
	8	1	3.3K
	9	FIL	0
12AU7 (V2 or V3)	1	295	27K*
	2	115	180K
	3	121	18K
	4	FIL	0
	5	FIL	0
	6	295	30K*
	7	100	2.4M
	8	121	18K
	9	FIL	0
12BH7 (V4 or V5)	1	285	22K*
	2	25	220K
	3	39	4.7K
	4	FIL	0
	5	FIL	0
	6	285	22K*
	7	25	220K
	8	39	4.7K
	9	FIL	0
7591 (V6, V7, V8, or V9)	1		
	2	FIL	0
	3	390	62*
	4	390	130*
	5	0.8	40
	6	-21	180K
	7	FIL	0
	8	390	130*

This Resistance measured to positive side of B+ rectifier SR2. Warning:
Discharge filter condensers before making measurements.

A high resistance VTVM is used for all measurements, voltages and resis-
tances are to ground except as noted.

Special components used in the MC225 are listed below. These components are designed and built specifically for the MC225. They may be purchased directly from Customer Service, McIntosh Laboratory Inc. When you order parts be sure to give the SCHEMATIC NO. and DESCRIPTION from Table 2 below, and serial and model number for your amplifier.

Table 2. MC225 SPECIAL COMPONENTS
(Schematic No. SC126-167A)

COMPONENT NO.	DESCRIPTION
C29A, B, C	Filter Capacitor, 80-35/15 MF 500/450 V
L5	Choke, Filter
R45	Thermistor
SR1, SR2	Silicon Rectifier, 500PIV, 500 MA
SR3	Selenium Rectifier, 400 PIV, 75 MA
T1	Output Transformer, Type M-220A
T2	Output Transformer, Type M-220B
T3	Power Transformer, Type M-221

McIntosh LABORATORY INC.

2 CHAMBERS STREET, BINGHAMTON, N. Y.

Made in U.S.A.
Phone-Area Code 607 723-5491